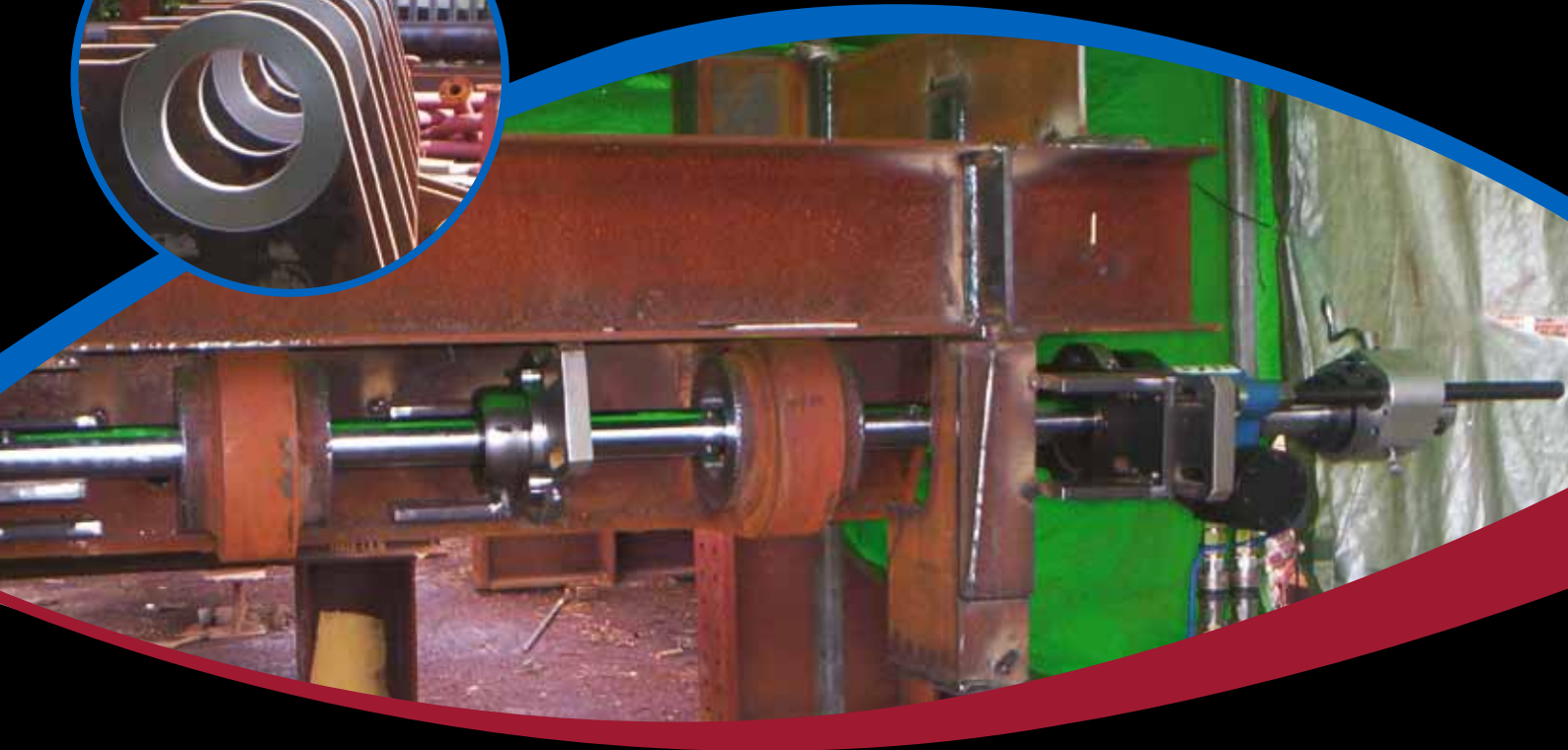


Line Boring BB5000 Portable Boring Machine



Integrated Solutions
to Piping Problems

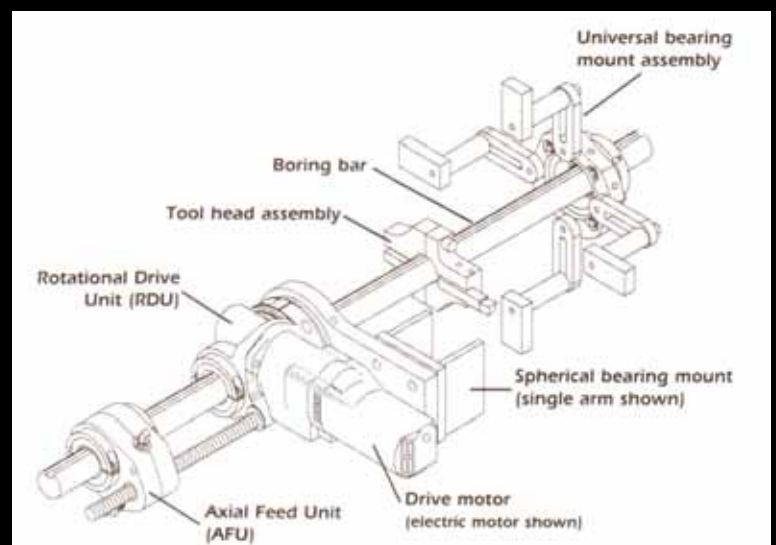


A powerful boring machine that can be customised to suit your needs.

The most powerful boring machine in its class, you'll be amazed at the power and flexibility of the BB5000 Portable Boring Machine Exclusive. Climax-patented mounting components provide the flexibility to handle tough boring jobs, even when used in cramped, tight workspaces.

Quick and Easy Setup

- Modular components make setup quick and easy.
- Fast and easy setup using high quality cast-iron set-up cones and spherical bearing mounts.
- Patented spherical bearing mounting system allows quick setup, with up to 5° of bearing misalignment.
- Typical setup time for an experienced operator is 30 mins or less.



Line Boring BB5000 Portable Boring Machine



Integrated Solutions
to Piping Problems

BB5000 Specifications

	US	Metric
Boring Bar Diameter		
Standard	2.25 inches	57.2mm
Optional	1.75 inches	44.5mm
Optional	1.25 inches	31.8mm
Boring Diameter		
Standard	2.5 – 12 inches	63.5 – 304.8mm
Optional	1.375 – 24 inches	34.9 – 609.6mm
Boring Stroke	12, 24 or 36 inches	304.8, 609.6 or 914.4mm
Power Options		
Electric: up to 112 free speed bar RPM	2.3Hp	1.7kW
Electric: up to 168 free speed bar RPM	2.3Hp	1.7kW
Hydraulic: up to 148 free speed bar RPM	3.0Hp	2.2kW
Pneumatic: up to 120 bar free speed RPM	3.0Hp	2.2kW
Mounting Options	Single Arm, Double Arm, Universal	
Rotational Drive Unit	4-to-1 gear ratio reduction	
Set-Up Cones		
Standard	2.75 – 12 inches	70.0 – 304.8mm
Optional	1.375 – 5 inches	31.9 – 127.0mm
Feed	Mechanical	Mechanical
Feed Rate per revolution	0 – 0.019inches/rev	0 – 0.48mm/rev
Typical Ship Weight (Typical machine with single arm mounts, set-up cones and hydraulic motor)	444 lbs	201kg
Approximate Boring Bar Ship Weight (includes metal shipping container)	1.48 lbs/inch	0.264kg/cm
Shipping Dimensions(Shipped in 2 containers, 3 containers for hydraulic power unit option)		
Machine W,D,H	52.5 x 27 x 16.5 inches	1334 x 686 x 419 mm
Bar 72 inch (1828.8mm) W,D,H	29 x 26 x 44 inches	737 x 660 x 1118 mm

