

# Flange Spreader



Integrated Solutions  
to Piping Problems



## FLANGE SPREADER DATA

SPREADING FORCE = 14.5T (145 kN)

It is recommended that tools are used in pairs giving  $2 \times 14.5 = 29T$  (290 kN)

TOOL WEIGHT = 7kg (15.4 lbs)

### KIT COMPONENTS

- 2 x Wedgeheads
- 2 x 10,000 psi (700 bar) Hydraulic Hoses, 2 m (78.75") each
- 2 x 10,000 psi (700 bar) Hydraulic Cylinders
- 1 x 10,000 psi (700 bar) Hydraulic Single Port Sealed Hand Pump
- 1 x 10,000 psi (700 bar) Twin Valve Manifold
- 2 x Safety Blocks
- 1 x Instruction Manual
- 1 x Robust Carry Case with Protective Foam Inserts

### WEIGHTS AND DIMENSIONS

- Tool with Hydraulic Cylinder = 7 kg (15.4 lb)
- Safety Block = 0.5 kg (1.1 lb)
- Hand Pump = 2.5 kg (5.5 lb)
- Hydraulic Hose = 1.0 kg (2.2 lb)
- Carry Case with Foam Inserts = 5.0 kg (11.02 lb)

GROSS WEIGHT = 27 kg (59.5 lb)

Carry Case Dimensions 550 x 390 x 180 mm (21.65" x 15.35" x 7.09")



# Flange Spreader

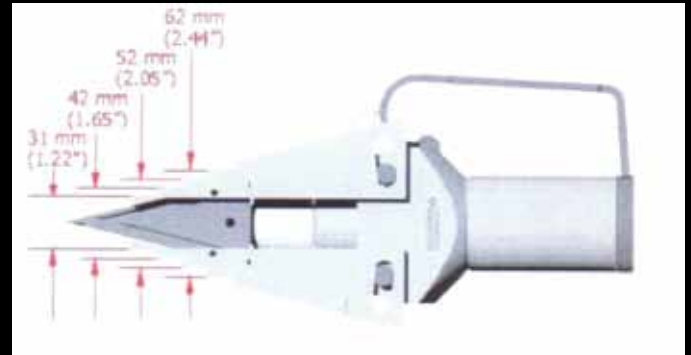
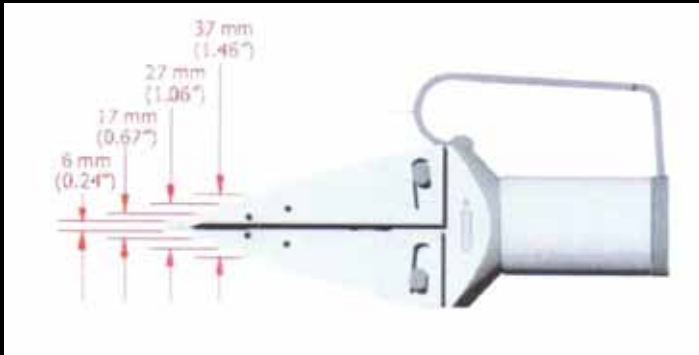
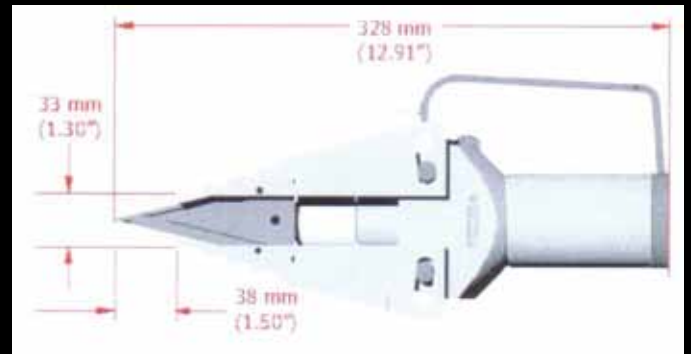


Integrated Solutions  
to Piping Problems

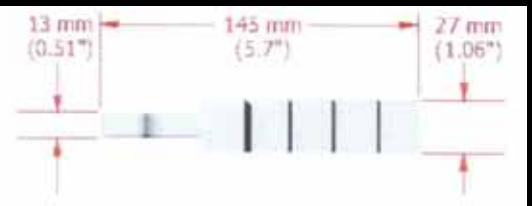
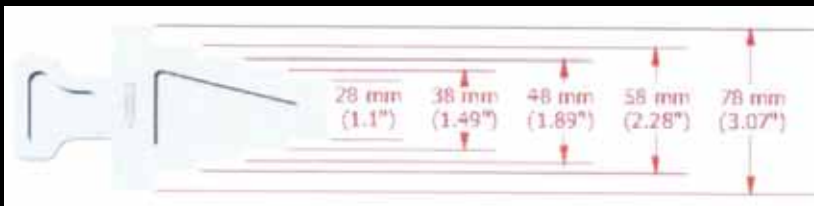
TOOL DIMENSION - CLOSED



TOOL DIMENSIONS - OPEN



SAFETY BLOCK DIMENSIONS



## RANGE OF APPLICATION

All ranges with a minimum access gap of 6 mm (0.24 inches)

