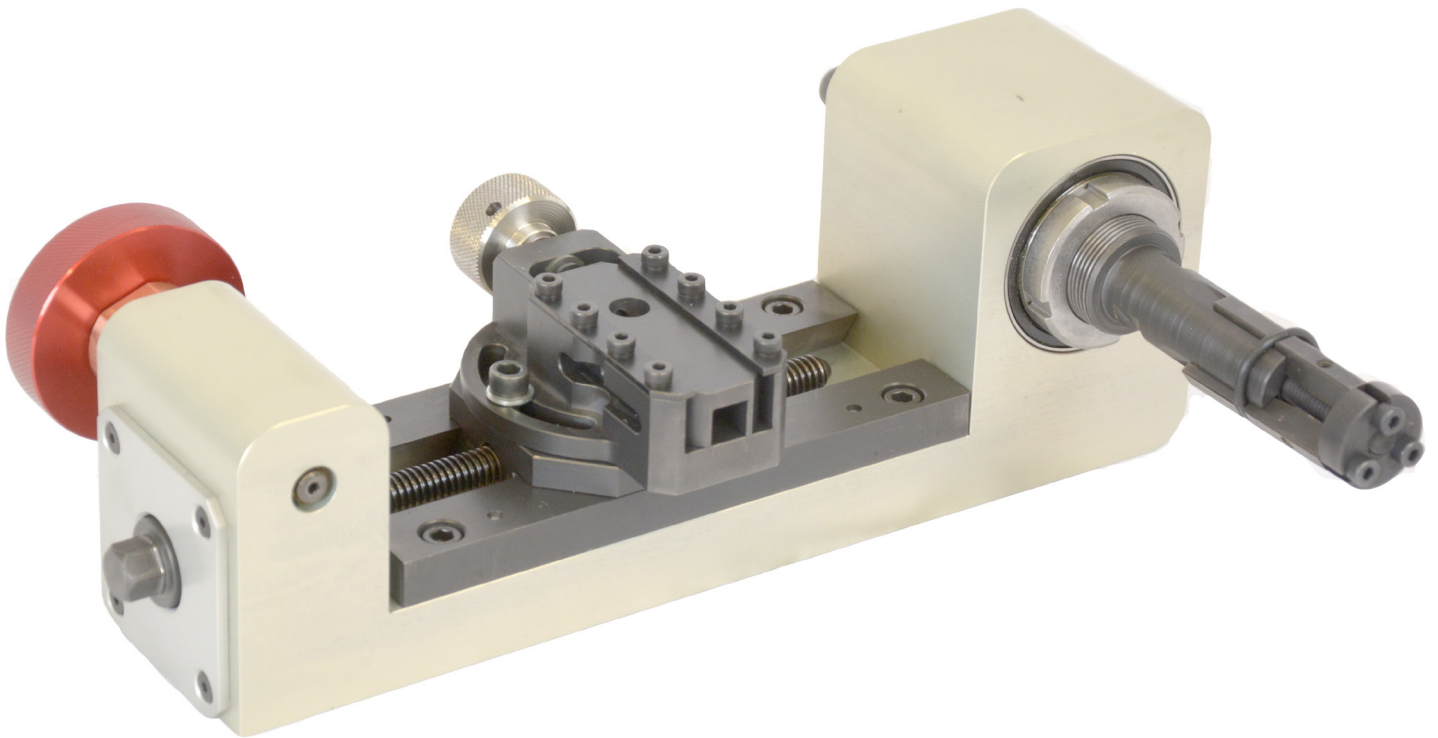


MANUAL FLANGE FACER

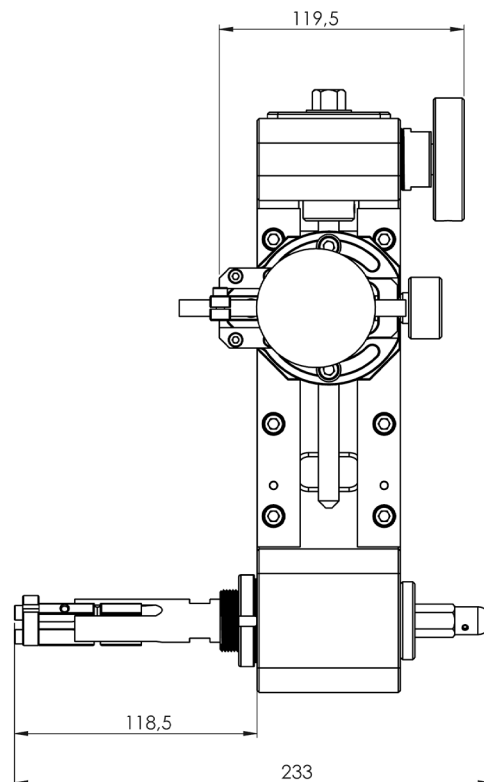
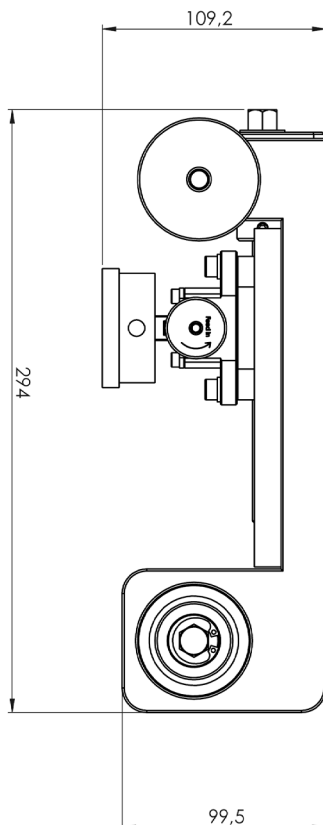


The **Manual Flange Facer** is a versatile hand powered solution for flange facing.

It is easily portable weighing only 5kg so it can be easily taken to worksites. Optimal solution for jobs that do not have power source available. With the manual flange facer it is extremely fast to machine small flanges.

Large clamping range makes it possible to machine wide range of flanges with just one machine. The manual flange facer can make typically needed surface finishes such as phonographic and smooth finish. Surface finish depends on the selected facing tool and feed screw.

Weight	4.9kg	Kit includes	Manual Flange Facer
Clamping Range	Min ID 24.5 mm Max ID 162 mm		Carry Case Hand Tools Clamping Leg Set for the entire range Feed Set for Phonographic Set of Cutting tools Indicator Optional; Feed set for smooth machining
Machinable area	Min D 25.5 mm Max D 420 mm Continuous travel of toolholder: ~80mm		
Feed rate	Standard; 0,8 mm/rev Optional; 0,2 mm/rev for other feed rates, contact Normaco sales		
Finishes	Standard: Spiral serrated Optional: Smooth finish		



Integrated **Solutions to Piping Problems** | www.patriot-int.com

The Netherlands

Dordrecht

T: +31 (0) 78 652 41 11

E: info@patriot-int.com

United Kingdom

Aberdeen

T: +44 (0) 1224 724726

E: info@patriot-int.com

Denmark

Esbjerg

T: +45 (0) 76 56 99 00

E: info@patriot-int.com

