

Drilling Airforce 45

Technical documentation



CE



Safety conscious
separate magnet and
motor switch gear –
prevents accidental
start up



50 mm \emptyset cutter
capacity



23 mm, 2MT solid
drill capacity

Features / Benefits

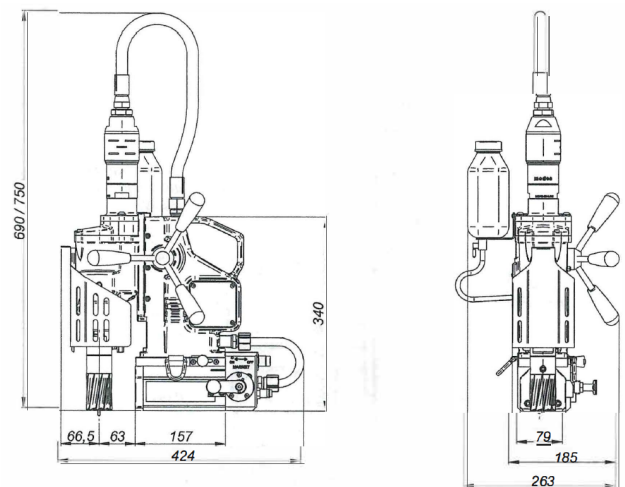
- Pneumatic drive and permanent magnetic base eliminates the need for electric power
- 2 morse taper twist drill capacity
- Strong permanent magnetic base
- Ergonomic design to suit offshore industry
- Ideal for hazardous environments such as oil drilling platforms, mining, shipbuilding or petrochemical industries

Machine Includes

- 3 x spoke handles and hub
- 2 morse taper arbor (19 mm shank) with coolant ring
- Drill drift
- Safety chain
- 4 mm and 5 mm Allen keys
- External coolant bottle assembly
- Steel carrying case
- Operators manual

Specifications

Model	AIRFORCE 45
Spindle	2MT (19mm shank)
Weight	19 kg
Air consumption	1400 l/min
Max Stroke	140 mm
Cutter Capacity	50 mm Ø x 2" depth of cut
Motor	800 W
RPM	2 Fixed Speeds no load 500 / 330 RPM loaded 290 / 190 RPM
Height (min/max)	540 / 680 mm
Length x Width	480 x 168 mm
Magnetic Base L x W	160 x 80 mm
Magnet Deadlift	870 kg on 1" Plate (8000 N)
Noise Level	< 90db
Vibration Level	< 2,5 m/s ²
Voltage/ Part no	DRILL - AIR45
Shipping Weight	31.5 kg
Shipping Dimensions	720 x 490 x 180 mm



Integrated Solutions to Piping Problems | www.patriot-int.com

The Netherlands

Dordrecht

T: +31 (0) 78 652 41 11

E: info@patriot-int.com

United Kingdom

Aberdeen

T: +44 (0) 1224 724726

E: info@patriot-int.com

Belgium

Antwerp

T: +32 (0)36 00 17 07

E: info@patriot-int.com

