

Flange Alignment FA3™

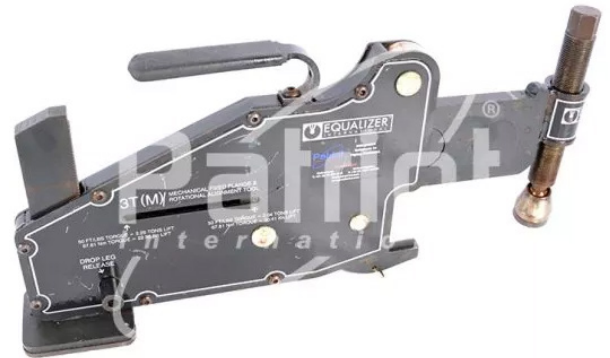
Technical documentation

Aligning Force: 50ft/lbs (68Nm) = 3,3 T (40 kN)

Tool weight: 8.1 kg (17.82 lbs)

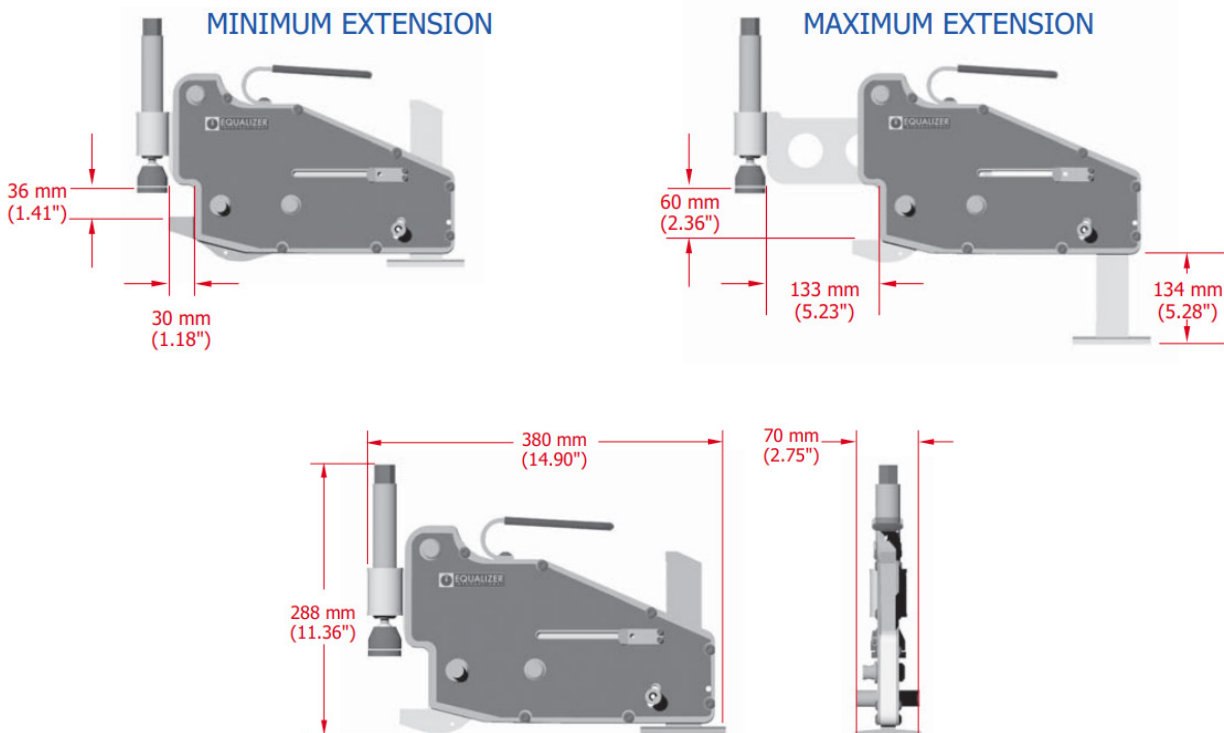
Kit Components:

- 1 x FA3™ Tool
 - 1 x 50ft/lbs (67.8 Nm) Torque Wrench with 22 mm Socket
 - 1 x Instruction Manual
 - 1 x Robust Carry Case with Protective Foam Inserts
- Kit Part No: 404040-01



Weights and Dimensions:

- Tool Only = 8.1 kg (17.82 lbs)
- Torque Wrench with Socket = 0.9 kg (1.98 lbs)
- Carry Case with Foam Inserts = 4.5 kg (9.90 lbs)
- Gross Weight = 13.5 kg (29.70 lbs)
- Carry-Case Dimensions: 190 x 180 x 320 mm (7.48" x 7.09" x 12.60")



Integrated Solutions to Piping Problems | www.patriot-int.com

The Netherlands

Dordrecht
T: +31 (0) 78 652 41 11
E: info@patriot-int.com

United Kingdom

Aberdeen
T: +44 (0) 1224 724726
E: info@patriot-int.com

Belgium

Antwerp
T: +32 (0)36 00 17 07
E: info@patriot-int.com



ANSI B 16.5

Lap Joint Flanges

150# NIL
 300# 12" THRU 24"
 400# 10" THRU 24"
 600# 8" THRU 24"
 900# 5" THRU 24"
 1500# 4" THRU 16"
 2500# 2" THRU 10"

Threaded Flanges

150# 8" THRU 24"
 300# 8" THRU 24"
 400# 3 1/2" THRU 24"
 600# 3 1/2" THRU 24"
 900# 1" THRU 20"
 1500# 1" THRU 10"
 2500# 1" THRU 6"

Weld Neck Flanges

150# 10" THRU 24"
 300# 8" THRU 24"
 400# 3" THRU 24"
 600# 3 1/2" THRU 24"
 900# 1" THRU 20"
 1500# 1" THRU 10"
 2500# 1" THRU 6"

Slip-On Flanges

150# 10" THRU 24"
 300# 8" THRU 24"
 400# 3" THRU 24"
 600# 3 1/2" THRU 24"
 900# 1" THRU 20"
 1500# 1" THRU 2 1/2"

Socket Weld Flanges

1500 # 1" THRU 2 1/2"

API

API Standard 605WELD Neck Flanges

150# 34# THRU 60"
 300# 26# THRU 36"

API Type 6BXWELD Neck Flanges

10,000#2 9/16" THRU 5 1/8"
 15,000#1 13/16" THRU 4 1/16"
 20,000#1 13/16" THRU 3 1/16"

API Type 6BINTEGRAL Flanges

10,000#2 9/16" THRU 21 1/4"
 15,000#1 13/16" THRU 13 5/8"
 20,000#1 13/16" THRU 9"

API Type 6BXINTEGRAL Flanges

2000#3 1/2" THRU 21 1/4"
 3000#2 1/16" THRU 16 3/4"
 5000#2 2" THRU 9"

BS 3293

Slip-On Flanges

150# 26" THRU 48"
 300# 26" THRU 36"
 400# 26" THRU 32"
 600# 26" ONLY

Weld Neck Flanges

150# 26" THRU 48"
 300# 26" THRU 36"
 400# 26" THRU 32"
 600# 26" ONLY

Slip-On Flanges RTJ

300# 26" THRU 36"
 400# 26" ONLY

Weld Neck Flanges RTJ

300# 26" THRU 28"
 400# 26" ONLY

Integrated Solutions to Piping Problems | www.patriot-int.com

The Netherlands

Dordrecht

T: +31 (0) 78 652 41 11

E: info@patriot-int.com

United Kingdom

Aberdeen

T: +44 (0) 1224 724726

E: info@patriot-int.com

Belgium

Antwerp

T: +32 (0)36 00 17 07

E: info@patriot-int.com

