

# Flange Alignment FA4™

## Technical documentation

**Aligning Force:** 50ft/lbs (33Nm) = 4 T (40 kN)

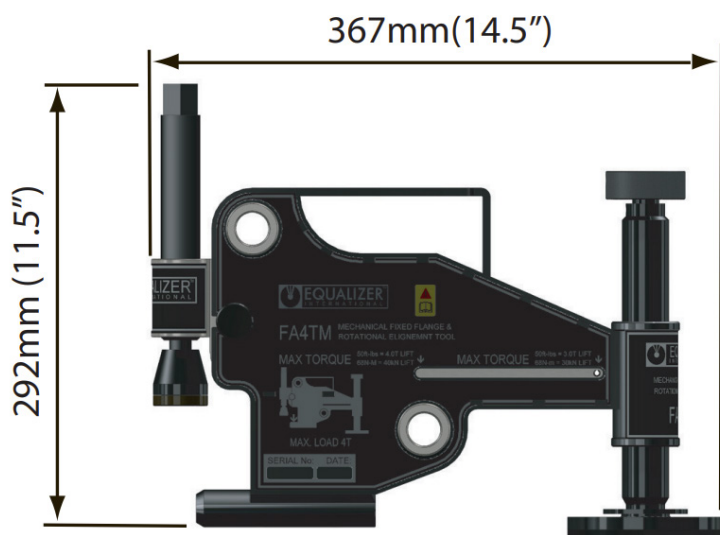
**Tool weight:** 8,6 kg (19 lbs)

**Kit Components:**

- 1 x FA4™ Tool
- 1 x 50ft/lbs Torque Wrench
- 1 x 22mm Socket
- 1 x Ratchet Strap
- 1 x Instruction Manual
- 1 x Carry-Case
- Product Code: FA4™STD

**Weights and Dimensions:**

- Tool Weight = 8.6 kg (19 lbs)
- Case Weight = 2.5 kg (5.5 lbs)
- Gross Weight = 11.7 kg (25.8 lbs)
- Carry-Case Dimensions: 600 x 370 x 200mm (23.6"x14.6"x7.9")



Integrated Solutions to Piping Problems | [www.patriot-int.com](http://www.patriot-int.com)

**The Netherlands**

Dordrecht

T: +31 (0) 78 652 41 11

E: [info@patriot-int.com](mailto:info@patriot-int.com)

**United Kingdom**

Aberdeen

T: +44 (0) 1224 724726

E: [info@patriot-int.com](mailto:info@patriot-int.com)

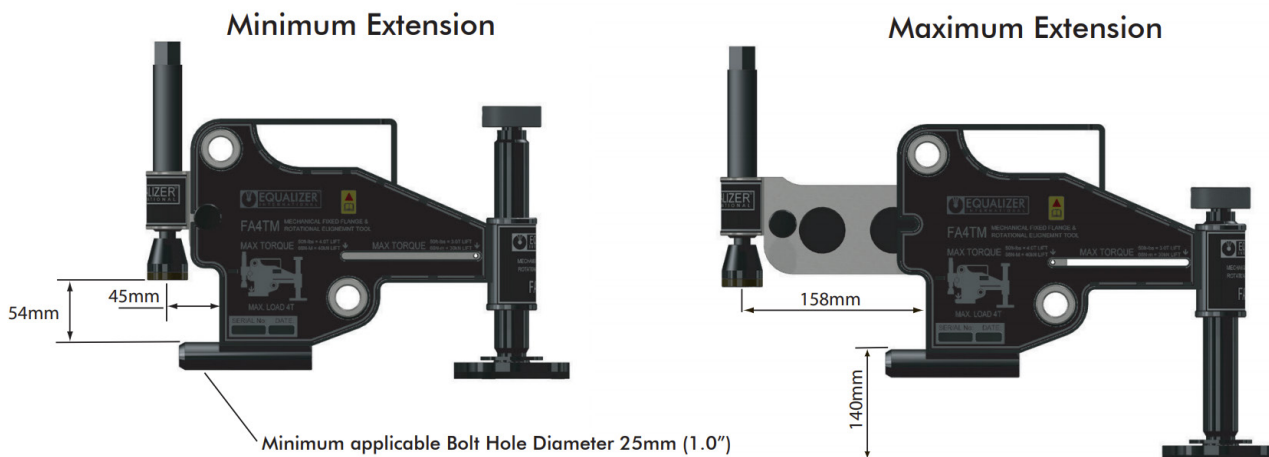
**Belgium**

Antwerp

T: +32 (0)36 00 17 07

E: [info@patriot-int.com](mailto:info@patriot-int.com)





## Range of Application

<b>ASME Weld neck</b>										
Class	150	300	400	600	900	1500	2500			
Range	16" - 30"	8" - 26"	4" - 24"	4" - 20"	2 1/2" - 14"	2" - 8"	1 1/4" - 4"			
<b>DIN Weld neck</b>										
Class	PN16	PN25	PN40	PN64	PN100	PN160				
Range	24" - 80"	14" - 40"	14" - 20"	6" - 16"	4" - 8"	3" - 7"				
<b>SPO compact Weld neck</b>										
Class	150	300	600	900	1500	2500	5000	7500	10000	15000
Range	36" - 48"	20" - 34"	12" - 24"	10" - 20"	5" - 12"	3" - 10"	5" - 10"	3" - 8"	4" - 8"	2 1/2" - 5"
<b>BS10 Weld Neck</b>										
Class	A	D	E	F	H	J	K	R	S	T
Range	45" - 72"	33" - 48"	24" - 40"	20" - 36"	12" - 24"	5" - 16"	5" - 12"	5" - 10"	4" - 7"	3" - 5"
<b>API 6B&amp;6BX Weld Neck</b>										
Class	2000	3000	5000	10000	15000	20000				
Range	4 1/16" - 9"	2 1/16" - 4 1/16"	2 1/16" - 4 1/16"	2 9/16" - 5 1/8"	1 13/16" - 3 1/16"	1 13/16" - 2 1/16"				

Integrated Solutions to Piping Problems | [www.patriot-int.com](http://www.patriot-int.com)

### The Netherlands

Dordrecht

T: +31 (0) 78 652 41 11

E: [info@patriot-int.com](mailto:info@patriot-int.com)

### United Kingdom

Aberdeen

T: +44 (0) 1224 724726

E: [info@patriot-int.com](mailto:info@patriot-int.com)

### Belgium

Antwerp

T: +32 (0)36 00 17 07

E: [info@patriot-int.com](mailto:info@patriot-int.com)

