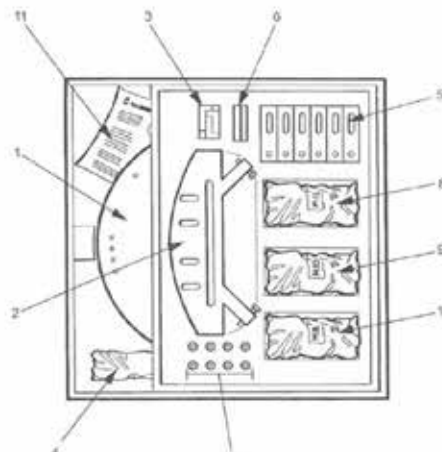


**Tube Sheet Mounting Kit
SX2872**
Technical documentation



Packing List

1. Tube sheet mounting plate
2. Adjustment plate
3. Clacking tower finger clamps (2 off)
4. Pack of screws/washers:
 - M10 x 40mm caphead screws & plain washers (2 off)
 - M12 x 50mm hexagon screws (2 off)
 - M12 x 50mm caphead screws (6 off)
 - 8mm mudwing washers (16 off)
 - 10mm mudwing washers (16 off)
 - 12mm mudwing washers (16 off)
5. Finger clamps (6 off)
6. Additional clamping plates (2 off)
7. Spacers (8 off)
8. M12 x 120 expander bolts (10 off)
9. M10 x 120 expander bolts (10 off)
10. 1M8 x 120 expander bolts (10 off)
11. Instruction sheet



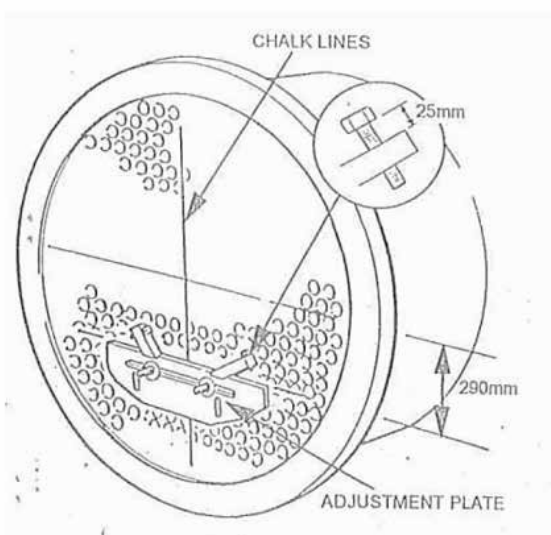
Instructions Machining the Flange Front Face

Establish the centre of the tube sheet and using chalk mark a horizontal and vertical line through the centre. Measure 290mm vertically down from the centre point and mark a horizontal line. Align the top face of the adjustment plate with this line and position the horizontal slot in the plate to allow clear access to the holes. Using the two expander bolts or a preferred mounting method secure the plate in position

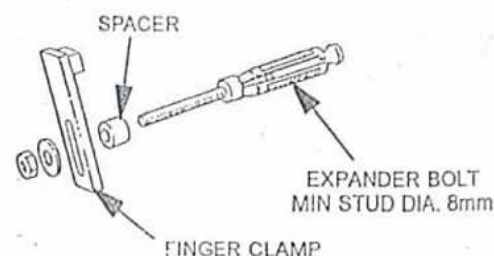
Warning: The mounting plate weighs 40kg, to prevent injury always use a mechanical lifting device. If one is not available, it is recommended that two persons lift and position the mounting plate.

Wind the two adjusting screws on the adjustment plate until there is approximately 25mm of thread showing. Using a mechanical lift, position the mounting plate against the tube sheet and rest it on the adjusting screws. Rotate the plate until one of the four M12 machine mounting holes is in the 12 o'clock position.

Warning: It is recommended at this stage that two persons work together, one holding the plate in position and the other fitting the clamps etc. Always fit the spacer over the expander bolt to prevent it being partially withdrawn from the tube during tightening. Do not use expander bolts with a threaded stud less than 8mm in diameter. Use the expander bolts once only and replace when repeating the operation. Minimum number is 6 off.



TYPICAL MOUNTING METHOD



Integrated Solutions to Piping Problems | www.patriot-int.com

The Netherlands

Dordrecht

T: +31 (0) 78 652 41 11

E: info@patriot-int.com

United Kingdom

Aberdeen

T: +44 (0) 1224 724726

E: info@patriot-int.com

Denmark

Esbjerg

T: +45 (0) 76 56 99 00

E: info@patriot-int.com