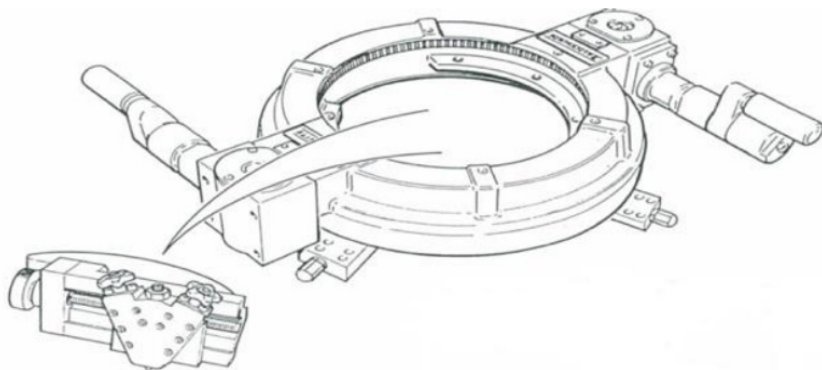


# V Groove Measuring Kits

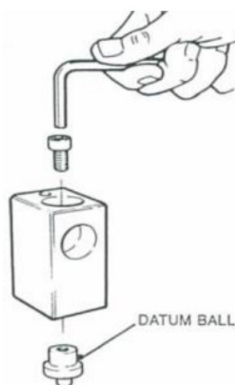
## AXL012

### Technical documentation

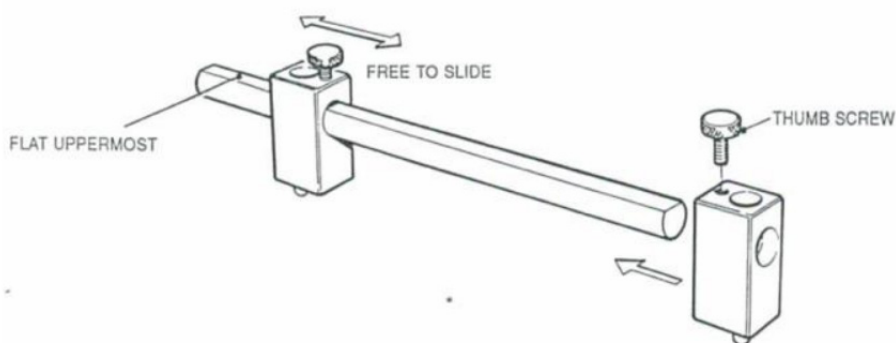
1. To measure the 'V' groove after machining, remove the 'V' groove saddle assembly



2. Using an Allen key fit a pair of suitable datum balls to each trammel block



3. Assemble the blocks onto the measuring bar. Leave the blocks free to slide.



Integrated Solutions to Piping Problems | [www.patriot-int.com](http://www.patriot-int.com)

#### The Netherlands

Dordrecht

T: +31 (0) 78 652 41 11

E: [info@patriot-int.com](mailto:info@patriot-int.com)

#### United Kingdom

Aberdeen

T: +44 (0) 1224 724726

E: [info@patriot-int.com](mailto:info@patriot-int.com)

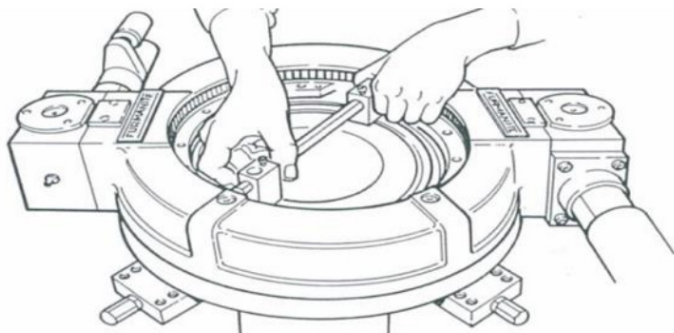
#### Belgium

Antwerp

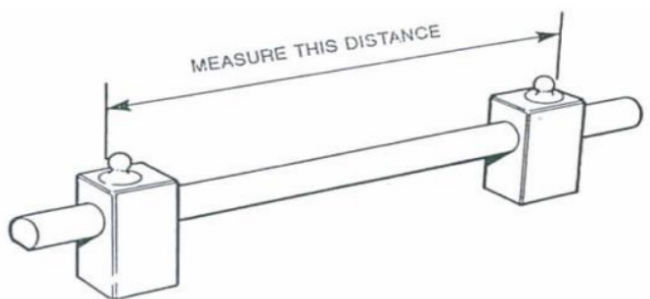
T: +32 (0)36 00 17 07

E: [info@patriot-int.com](mailto:info@patriot-int.com)

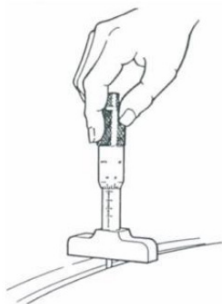
- Place the measuring assembly onto the flange face and lock one trammel block onto the shaft using the locking screw. Locate the balls against the outer face of the 'V' groove at its widest point and lock the remaining block in position



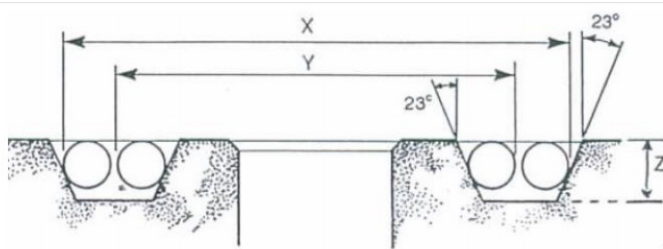
- Measure the distance to the outside of the balls with a calibrated micrometer or vernier (X). Repeat stage 4 and re-measure until a consistent reading is achieved. Repeat stage 4 on the inner face of the groove and follow the same procedure.



- Check depth of the groove (Z) using depth micrometer



- Using the results obtained refer to the Technical Specifications Standards Tables (API, ANSI etc.).



Integrated Solutions to Piping Problems | [www.patriot-int.com](http://www.patriot-int.com)

**The Netherlands**

Dordrecht

T: +31 (0) 78 652 41 11

E: [info@patriot-int.com](mailto:info@patriot-int.com)

**United Kingdom**

Aberdeen

T: +44 (0) 1224 724726

E: [info@patriot-int.com](mailto:info@patriot-int.com)

**Belgium**

Antwerp

T: +32 (0)36 00 17 07

E: [info@patriot-int.com](mailto:info@patriot-int.com)

